

Self Drilling Metal Screw

Head Style: Hex Flange Head

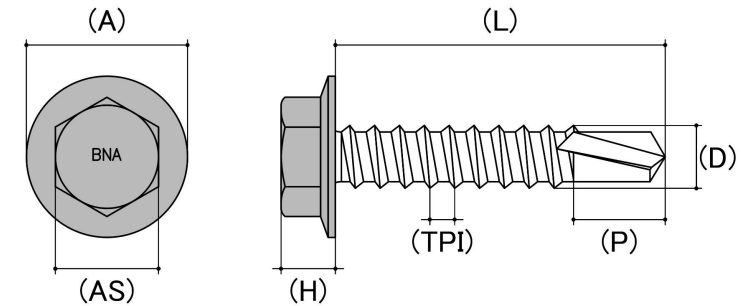
Drive Type: Hex

Material: Hardened Steel

Class Grade: Class 3 / 4 / B8

Finish: Galvanised

Corrosion Protection Level: Excellent



*CAD drawings shown for graphic representation only.**

Size	Thread Pitch (TPI)	Thread Type	Product Diameter (D) (mm)		Head Diameter (A) (mm)		Head Height (H) (mm)	Min To Max Steel Thickness (mm)		Driver Bit Size (AS) (inches)	Colour	sku (qfind)
			Min	Max	Min	Max	Nom	Min	Max	Nom	Nom	
10g (4.80mm)	16	Coarse	4.65	4.80	11.10	11.40	4.75	0.75	3.50	5/16	Basalt / Granite	08101616C4BA
10g (4.80mm)	16	Coarse	4.65	4.80	11.10	11.40	4.75	0.75	3.50	5/16	Basalt / Granite	08101625C4BA
12g (5.50mm)	14	Coarse	5.30	5.40	14.10	14.40	5.85	1.00	5.00	5/16	Basalt / Granite	08121420C4BA
10g (4.80mm)	16	Coarse	4.65	4.80	11.10	11.40	4.75	0.75	3.50	5/16	Bushland / Teatree	08101616C4BU
10g (4.80mm)	16	Coarse	4.65	4.80	11.10	11.40	4.75	0.75	3.50	5/16	Classic Cream / Smooth Cream / Ivory	08101616C4CC
10g (4.80mm)	16	Coarse	4.65	4.80	11.10	11.40	4.75	0.75	3.50	5/16	Classic Cream / Smooth Cream / Ivory	08101625C4CC
12g (5.50mm)	14	Coarse	5.30	5.40	14.10	14.40	5.85	1.00	5.00	5/16	Classic Cream / Smooth Cream / Ivory	08121420C4CC
10g (4.80mm)	16	Coarse	4.65	4.80	11.10	11.40	4.75	0.75	3.50	5/16	Cottage Green / Caulfield Green	08101616C4CG
10g (4.80mm)	16	Coarse	4.65	4.80	11.10	11.40	4.75	0.75	3.50	5/16	Cottage Green / Caulfield Green	08101625C4CG

Size	Thread Pitch (TPI)	Thread Type	Product Diameter (D) (mm)		Head Diameter (A) (mm)		Head Height (H) (mm)	Min To Max Steel Thickness (mm)		Driver Bit Size (AS) (inches)	Colour	sku (qfind)
			Min	Max	Min	Max	Nom	Min	Max	Nom	Nom	
12g (5.50mm)	14	Coarse	5.30	5.40	14.10	14.40	5.85	1.00	5.00	5/16	Cottage Green / Caulfield Green	08121420C4CG
10g (4.80mm)	16	Coarse	4.65	4.80	11.10	11.40	4.75	0.75	3.50	5/16	Cove / River Reed	08101616C4CO
10g (4.80mm)	16	Coarse	4.65	4.80	11.10	11.40	4.75	0.75	3.50	5/16	Deep Ocean / Mountain Blue	08101616C4DO
10g (4.80mm)	16	Coarse	4.65	4.80	11.10	11.40	4.75	0.75	3.50	5/16	Deep Ocean / Mountain Blue	08101625C4DO
12g (5.50mm)	14	Coarse	5.30	5.40	14.10	14.40	5.85	1.00	5.00	5/16	Deep Ocean / Mountain Blue	08121420C4DO
10g (4.80mm)	16	Coarse	4.65	4.80	11.10	11.40	4.75	0.75	3.50	5/16	Dune / Birch / Grey	08101616C4DU
10g (4.80mm)	16	Coarse	4.65	4.80	11.10	11.40	4.75	0.75	3.50	5/16	Dune / Birch / Grey	08101625C4DU
12g (5.50mm)	14	Coarse	5.30	5.40	14.10	14.40	5.85	1.00	5.00	5/16	Dune / Birch / Grey	08121420C4DU
10g (4.80mm)	16	Coarse	4.65	4.80	11.10	11.40	4.75	0.75	3.50	5/16	Evening Haze / Moss Vale Sand	08101616C4EH
10g (4.80mm)	16	Coarse	4.65	4.80	11.10	11.40	4.75	0.75	3.50	5/16	Evening Haze / Moss Vale Sand	08101625C4EH
12g (5.50mm)	14	Coarse	5.30	5.40	14.10	14.40	5.85	1.00	5.00	5/16	Evening Haze / Moss Vale Sand	08121420C4EH
10g (4.80mm)	16	Coarse	4.65	4.80	11.10	11.40	4.75	0.75	3.50	5/16	Gully / Driftwood	08101616C4GU
10g (4.80mm)	16	Coarse	4.65	4.80	11.10	11.40	4.75	0.75	3.50	5/16	Gully / Driftwood	08101625C4GU
12g (5.50mm)	14	Coarse	5.30	5.40	14.10	14.40	5.85	1.00	5.00	5/16	Gully / Driftwood	08121420C4GU
10g (4.80mm)	16	Coarse	4.65	4.80	11.10	11.40	4.75	0.75	3.50	5/16	Ironstone / Grey Rock	08101616C4IS
10g (4.80mm)	16	Coarse	4.65	4.80	11.10	11.40	4.75	0.75	3.50	5/16	Ironstone / Grey Rock	08101625C4IS
12g (5.50mm)	14	Coarse	5.30	5.40	14.10	14.40	5.85	1.00	5.00	5/16	Ironstone / Grey Rock	08121420C4IS

Size	Thread Pitch (TPI)	Thread Type	Product Diameter (D) (mm)		Head Diameter (A) (mm)		Head Height (H) (mm)	Min To Max Steel Thickness (mm)		Driver Bit Size (AS) (inches)	Colour	sku (qfind)
			Min	Max	Min	Max	Nom	Min	Max	Nom	Nom	
10g (4.80mm)	16	Coarse	4.65	4.80	11.10	11.40	4.75	0.75	3.50	5/16	Jasper / Taupe / Mocca	08101616C4JA
10g (4.80mm)	16	Coarse	4.65	4.80	11.10	11.40	4.75	0.75	3.50	5/16	Jasper / Taupe / Mocca	08101625C4JA
10g (4.80mm)	16	Coarse	4.65	4.80	11.10	11.40	4.75	0.75	3.50	5/16	Loft / Cardinal	08101616C4LO
10g (4.80mm)	16	Coarse	4.65	4.80	11.10	11.40	4.75	0.75	3.50	5/16	Mangrove / Wild Sage	08101616C4MA
10g (4.80mm)	16	Coarse	4.65	4.80	11.10	11.40	4.75	0.75	3.50	5/16	Manor Red / Heritage Red	08101616C4MR
12g (5.50mm)	14	Coarse	5.30	5.40	14.10	14.40	5.85	1.00	5.00	5/16	Manor Red / Heritage Red	08121420C4MR
10g (4.80mm)	16	Coarse	4.65	4.80	11.10	11.40	4.75	0.75	3.50	5/16	Monument / Thunder / Charcoal	08101616C4MO
10g (4.80mm)	16	Coarse	4.65	4.80	11.10	11.40	4.75	0.75	3.50	5/16	Monument / Thunder / Charcoal	08101625C4MO
12g (5.50mm)	14	Coarse	5.30	5.40	14.10	14.40	5.85	1.00	5.00	5/16	Monument / Thunder / Charcoal	08121420C4MO
10g (4.80mm)	16	Coarse	4.65	4.80	11.10	11.40	4.75	0.75	3.50	5/16	Night Sky / Ebony / Black / Jet Black	08101616C4NS
10g (4.80mm)	16	Coarse	4.65	4.80	11.10	11.40	4.75	0.75	3.50	5/16	Night Sky / Ebony / Black / Jet Black	08101625C4NS
12g (5.50mm)	14	Coarse	5.30	5.40	14.10	14.40	5.85	1.00	5.00	5/16	Night Sky / Ebony / Black / Jet Black	08121420C4NS
10g (4.80mm)	16	Coarse	4.65	4.80	11.10	11.40	4.75	0.75	3.50	5/16	Pale Eucalypt / Mist Green	08101616C4PE
10g (4.80mm)	16	Coarse	4.65	4.80	11.10	11.40	4.75	0.75	3.50	5/16	Pale Eucalypt / Mist Green	08101625C4PE
12g (5.50mm)	14	Coarse	5.30	5.40	14.10	14.40	5.85	1.00	5.00	5/16	Pale Eucalypt / Mist Green	08121420C4PE
10g (4.80mm)	16	Coarse	4.65	4.80	11.10	11.40	4.75	0.75	3.50	5/16	Paperbark / Beige / Merino	08101616C4PA
10g (4.80mm)	16	Coarse	4.65	4.80	11.10	11.40	4.75	0.75	3.50	5/16	Paperbark / Beige / Merino	08101625C4PA

Size	Thread Pitch (TPI)	Thread Type	Product Diameter (D) (mm)		Head Diameter (A) (mm)		Head Height (H) (mm)	Min To Max Steel Thickness (mm)		Driver Bit Size (AS) (inches)	Colour	sku (qfind)
			Min	Max	Min	Max	Nom	Min	Max	Nom	Nom	
12g (5.50mm)	14	Coarse	5.30	5.40	14.10	14.40	5.85	1.00	5.00	5/16	Paperbark / Beige / Merino	08121420C4PA
10g (4.80mm)	16	Coarse	4.65	4.80	11.10	11.40	4.75	0.75	3.50	5/16	Shale Grey / Gull Grey	08101616C4SG
10g (4.80mm)	16	Coarse	4.65	4.80	11.10	11.40	4.75	0.75	3.50	5/16	Shale Grey / Gull Grey	08101625C4SG
12g (5.50mm)	14	Coarse	5.30	5.40	14.10	14.40	5.85	1.00	5.00	5/16	Shale Grey / Gull Grey	08121420C4SG
10g (4.80mm)	16	Coarse	4.65	4.80	11.10	11.40	4.75	0.75	3.50	5/16	Surfmist / Off White / Titanium	08101616C4SU
10g (4.80mm)	16	Coarse	4.65	4.80	11.10	11.40	4.75	0.75	3.50	5/16	Surfmist / Off White / Titanium	08101625C4SU
12g (5.50mm)	14	Coarse	5.30	5.40	14.10	14.40	5.85	1.00	5.00	5/16	Surfmist / Off White / Titanium	08121420C4SU
10g (4.80mm)	16	Coarse	4.65	4.80	11.10	11.40	4.75	0.75	3.50	5/16	Terrain	08101616C4TE
10g (4.80mm)	16	Coarse	4.65	4.80	11.10	11.40	4.75	0.75	3.50	5/16	Wallaby / Cobblestone	08101616C4WA
12g (5.50mm)	14	Coarse	5.30	5.40	14.10	14.40	5.85	1.00	5.00	5/16	Wallaby / Cobblestone	08121420C4WA
10g (4.80mm)	16	Coarse	4.65	4.80	11.10	11.40	4.75	0.75	3.50	5/16	Wilderness / Rivergum	08101616C4WI
10g (4.80mm)	16	Coarse	4.65	4.80	11.10	11.40	4.75	0.75	3.50	5/16	Wilderness / Rivergum	08101625C4WI
12g (5.50mm)	14	Coarse	5.30	5.40	14.10	14.40	5.85	1.00	5.00	5/16	Wilderness / Rivergum	08121420C4WI
10g (4.80mm)	16	Coarse	4.65	4.80	11.10	11.40	4.75	0.75	3.50	5/16	Windspray / Dark Grey / Armour Grey	08101616C4WS
10g (4.80mm)	16	Coarse	4.65	4.80	11.10	11.40	4.75	0.75	3.50	5/16	Windspray / Dark Grey / Armour Grey	08101625C4WS
12g (5.50mm)	14	Coarse	5.30	5.40	14.10	14.40	5.85	1.00	5.00	5/16	Windspray / Dark Grey / Armour Grey	08121420C4WS
10g (4.80mm)	16	Coarse	4.65	4.80	11.10	11.40	4.75	0.75	3.50	5/16	Woodland Grey / Pewter / Slate Grey	08101616C4WG

Size	Thread Pitch (TPI)	Thread Type	Product Diameter (D) (mm)		Head Diameter (A) (mm)		Head Height (H) (mm)	Min To Max Steel Thickness (mm)		Driver Bit Size (AS) (inches)	Colour	sku (qfind)
			Min	Max	Min	Max	Nom	Min	Max	Nom	Nom	
10g (4.80mm)	16	Coarse	4.65	4.80	11.10	11.40	4.75	0.75	3.50	5/16	Woodland Grey / Pewter / Slate Grey	08101625C4WG
12g (5.50mm)	14	Coarse	5.30	5.40	14.10	14.40	5.85	1.00	5.00	5/16	Woodland Grey / Pewter / Slate Grey	08121420C4WG

Disclaimer:

Dimensional data and technical information was obtained from publicly available sources and not acquired through standard agencies. It has been completed and compiled for reference purposes only; where discrepancies are found they are subject to change without notice. Bolt & Nut Australia makes no warranties or representations regarding the accuracy and validity of the compiled information and data. Contact the relevant standard authorities for accurate and detailed information.
 * CAD drawings may not reflect diameter, thread length or overall length.

© Bolt & Nut Australia Pty Ltd. All rights reserved.

Version: 18 Mar 2024